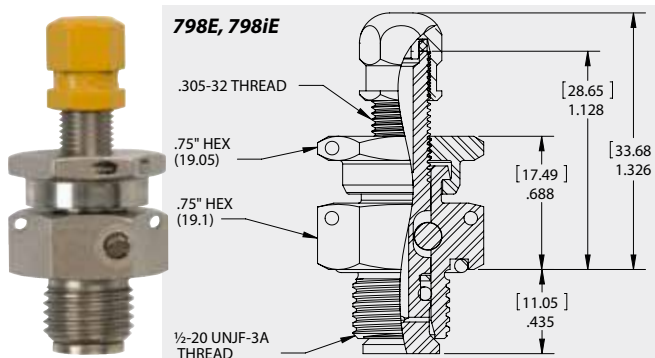
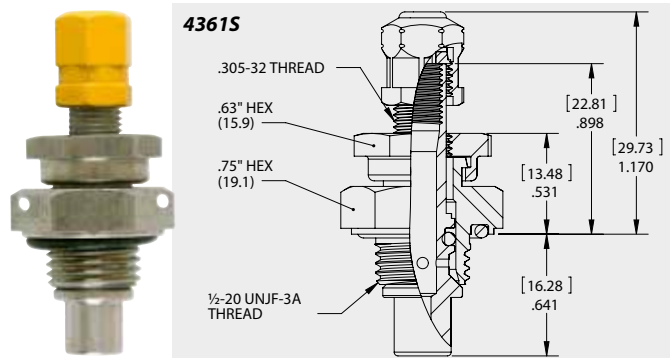
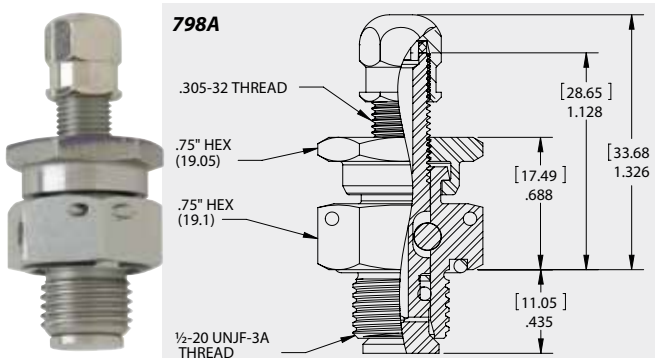
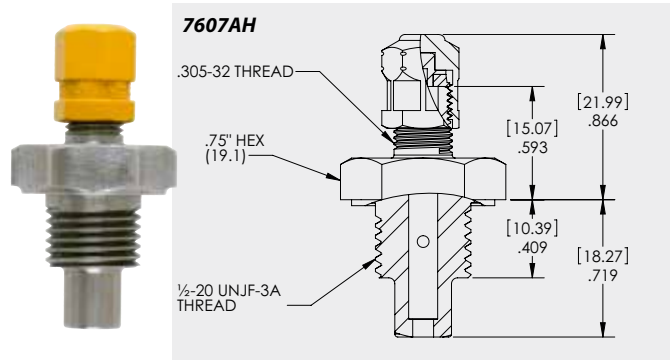
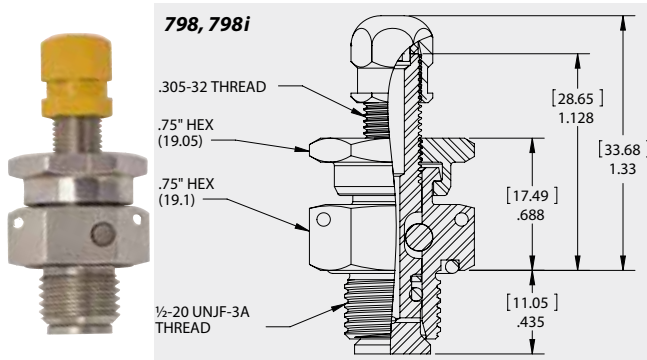


## ***HIGH-PRESSURE VALVES AND CONNECTORS***

*For use in High-Pressure Applications*





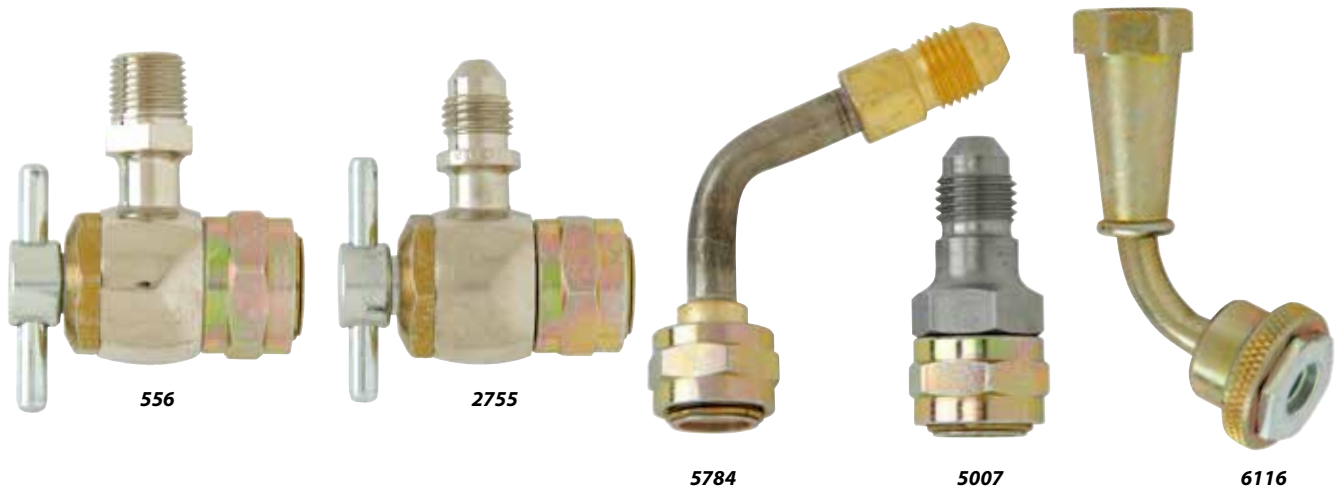
Schrader Pacific high-pressure valves are constructed of stainless steel bodies and are intended for use in high-pressure air-charged units such as shock absorber struts, hydraulic pressure accumulators, surge cylinders, and pneumatic systems. These valves have a special feature which warns of unreleased air pressure when the valve is being separated from the outlet. Contact Schrader Pacific for further information on military and commercial adaptations. Valves have 1/2"-20 UNJF-3A threads for connection to container.

Part Number	Generic Number	AN/MS Number	Cap	Core	Maximum Working Pressure (PSIG)	Remarks
007987105	798	M-6164-2	132790	-	5,000	o-ring 007980114
007987109	798A	M-6164-5	761200	-	5,000	Meets Boeing spec. BAC-V10T, Nickel plated cap. Compatible with Skydrol #500-A Hydraulic fluid per M-6164-5
007987311	798E	M-6164-2	132790	-	5,000	Lockwire holes in swivel nut
0798001000	798i		132780	-	5,000	Not certified for aircraft use - Industrial use only
0798002000	798iE		132780	-	5,000	Lockwire holes in swivel nut. Not certified for aircraft use - Industrial use only
043617010	4361S	AN-6287	132790	9914	4,000	
076070949	7607AH	AN-812-1	132790	9914	4,000	

- Installation Torque: 120 ± 5 in/lbs (Lubricate o-ring with hydraulic oil) - Does not apply to 7607AH
- Closing Torque: 55 ± 5 in/lbs - Does not apply to 7607AH
- Cap Installation Torque: 5 - 15 in/lbs

## HIGH-PRESSURE VALVES AND CONNECTORS

These high-pressure inflating connections attach securely by hand or wrench to the valve cap threads of high-pressure valves. They can be fitted to gaging and inflating devices by a variety of methods. Various angles permit easy attachment to hard-to-reach valves.

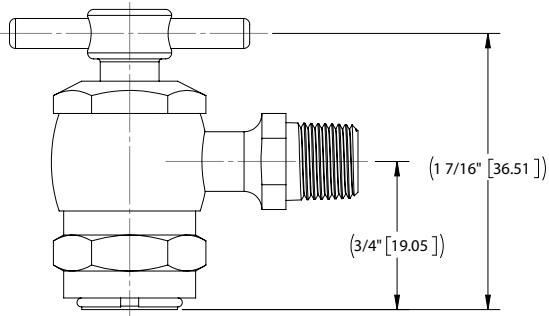


Part Number	Generic Number	Thread Size	Air Line Connection	Maximum Working Pressure (PSIG)	Configuration	Recommended Max. Torque to Valve Mouth*	Remarks
005560099	556	.305"-32	1/8" NPT Male	3,000	Air line connection: 90° to axis of valve	50 in-lb.	Has core depressor pin, copper sealing washer 027550080 (25 pack, 100 pack)
027550169	2755	.305"-32	3/8"-24 thread for 3/16" flare tube fitting, meets SAE AS4395	3,000	Air line connection: 90° to axis of valve	50 in-lb.	Has core depressor pin, copper sealing washer 027550080 (25 pack, 100 pack)
050070099	5007	.305"-32	7/16"-20 thread for 1/4" flare tube fitting, meets SAE AS4395	15,000	Straight	75 in-lb. for steel valves	Copper sealing washer 027550080 (25 pack, 100 pack)
061160001	6116	.305"-32	1/8" NPT Female	3,000	Air line connection: 70° to axis of valve	30 in-lb.	Hard fiber sealing washer 0611650025 (25 pack, 100 pack)
057840099	5784	.305"-32	7/16"-20 thread for 1/4" flare tube fitting, meets SAE AS4395	5,000	Air line connection: 70° to axis of valve	30 in-lb.	Hard fiber sealing washer 019370029 (25 pack, 100 pack)

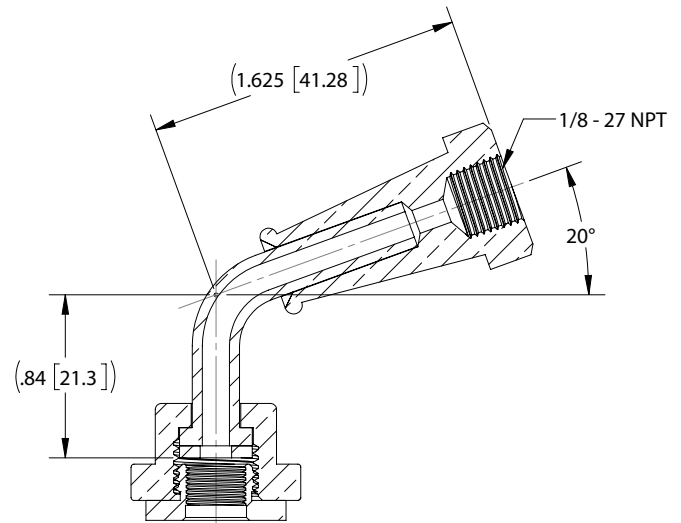
\* It may be necessary to replace the sealing washers after a number of uses to insure sealing on valve mouth

Due to the variety of operating conditions and applications, the customer is responsible to perform their own testing to ensure performance, safety and warranty requirements for the intended application.

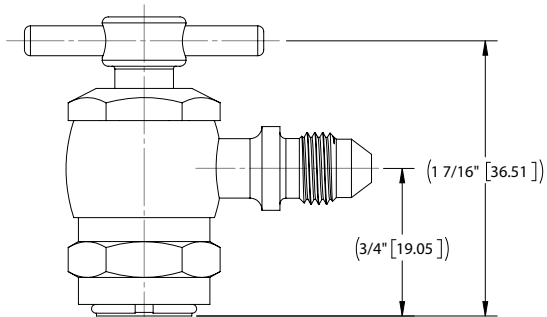
*Detailed customer drawings available.  
Sections shown for size reference.*



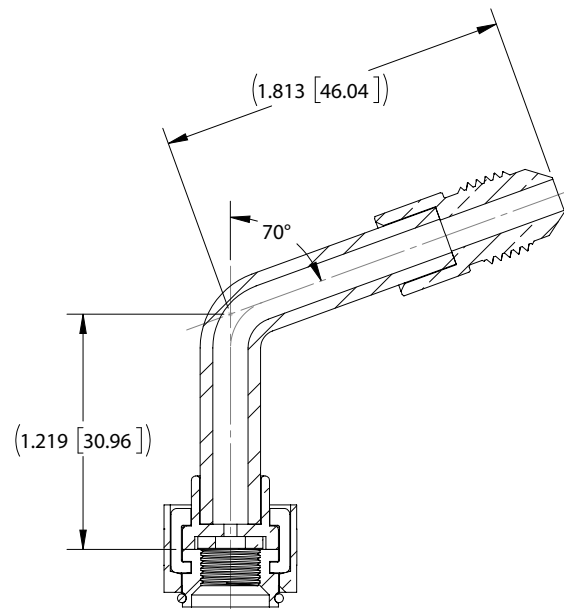
**556**



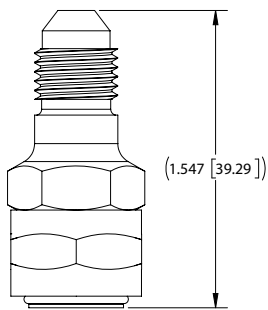
**6116**



**2755**



**5784**



**5007**

 **SCHRADER PACIFIC**  
Advanced Valves

205 Frazier Road  
Altavista, Virginia 24517

**1.800.345.0578**

[www.Schrader-Pacific.com](http://www.Schrader-Pacific.com)

08112023