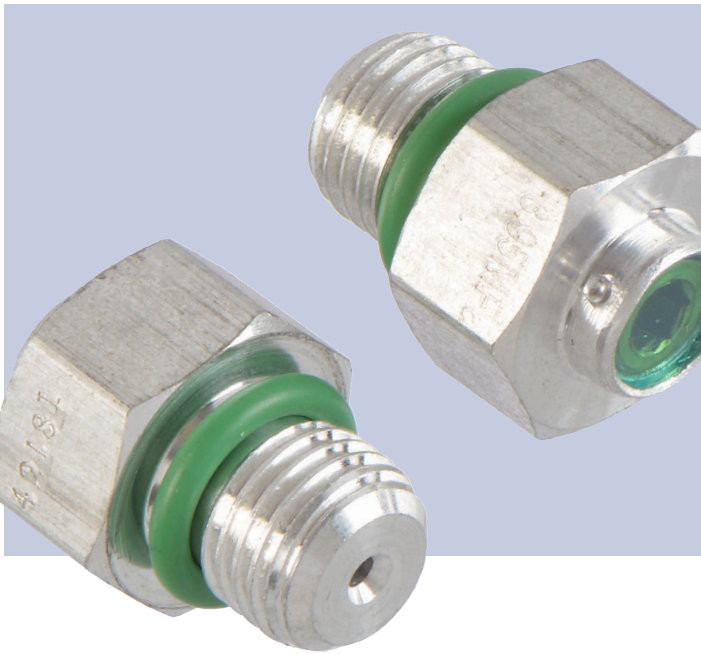


# AC Pressure Relief Valve - US Made Mini AC PRV

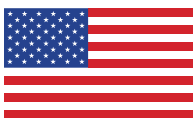
Small size delivers a cost-effective, light-weight design



- Compact design
- Light-weight
- Low cost
- Flexible calibration:  
+/- 25psi to the mean; 2.0 + Cpk
- 160°C capability
- HNBR seal
- HNBR o-ring
- Choose brass or aluminum construction
- 100% tested and validated on fully automated assembly equipment
- Meets domestic and foreign performance specification requirements



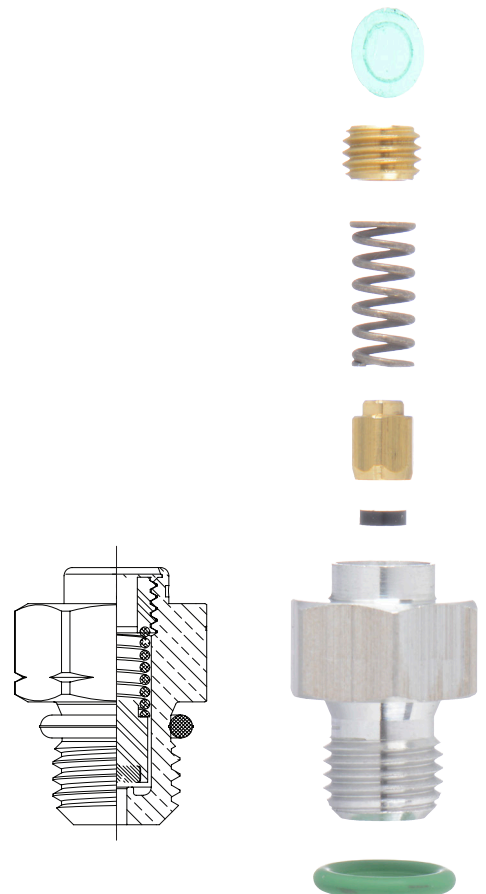
Note: Images enlarged to show detail



Made in USA



205 Frazier Road • Altavista, Virginia 24517 • 1.800.345.0578 • Schrader-Pacific.com



07282022

# AC Pressure Relief Valve - US Made Mini AC PRV

## Current part numbers



Made in USA

Part	Dust Shield	Thread	Material	Calibration	O-ring Color
540383	N	3/8-24	Brass	Uncalibrated	Green
0540700001	N	3/8-24	Aluminum	450psi [3.1MPa]	Green
9010500047	N	3/8-24	Brass	535psi [3.6MPa]	Green
9012000047	N	3/8-24	Brass	535psi [3.6MPa]	Tan
9010540047	N	3/8-24	Brass	540psi [3.9MPa]	Green
9011630047	N	M10 x 1.25	Brass	551psi [3.7MPa]	Blue
0540458001	Y	M10 x 1.25	Brass	551psi [3.7MPa]	Green
9011660047	Y	M10 x 1.25	Brass	551psi [3.7MPa]	Blue
0540488001	Y	3/8-24	Brass	575psi [3.95MPa]	Green
0540489001	N	3/8-24	Brass	575psi [3.95MPa]	Green
0540548001	Y	3/8-24	Aluminum	575psi [3.95MPa]	Green
9011650047	Y	3/8-24	Brass	580psi [3.9MPa]	Green

Available Thread: 3/8-24 or M10 x 1.25

Existing calibrations available from 450psi [3.1MPa] to 640psi [4.4MPa], tolerance varies with setpoint

Dust Shield available on calibrations between 535psi [3.6MPa] and 580psi [3.9MPa]

Custom calibrations available for typical OE volumes. Submit details through any of our sales team as listed on the footer of the web page or use the "Contact Us" page with requirements/details.

Calibrated for use with gaseous R1234yf and R134a, with PAG or POE oils

All calibrated PRVs are lot traceable and permanently marked with the calibration setpoint

Dry installation torque: 5.4 – 14.9 N•m (4.0 – 11.0 ft•lb)

