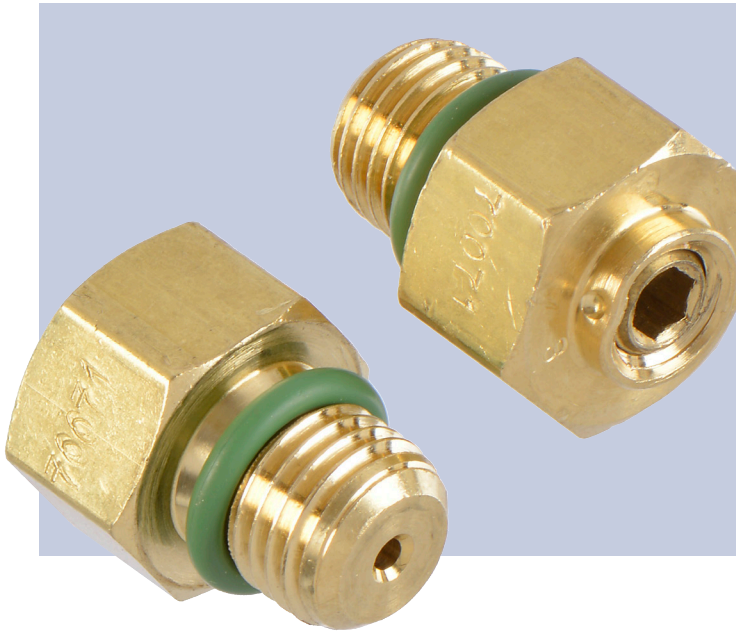
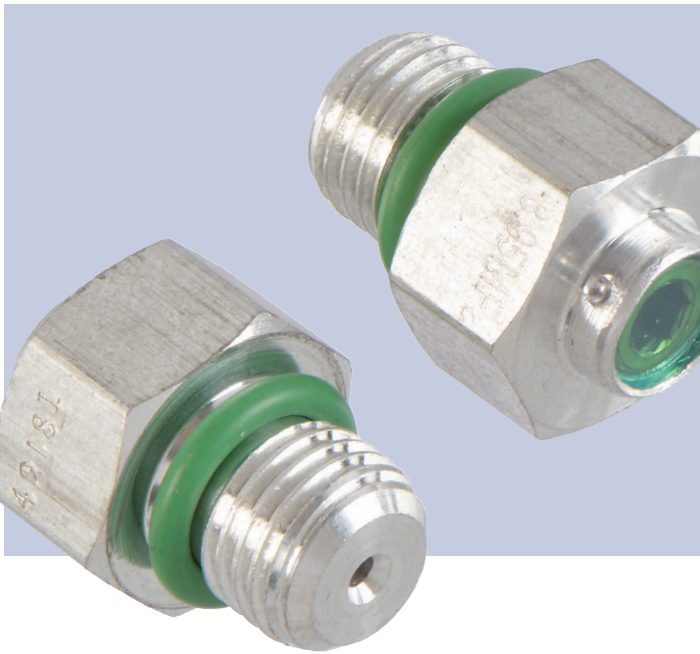


A/C Mini PRV (Pressure Relief Valve)

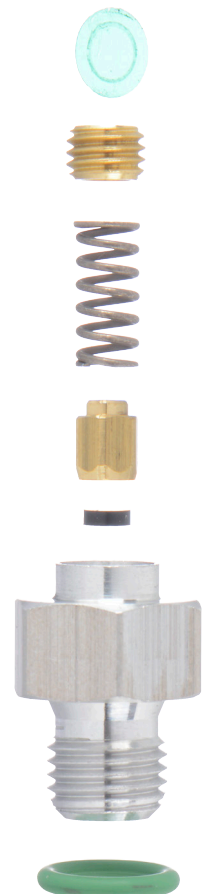
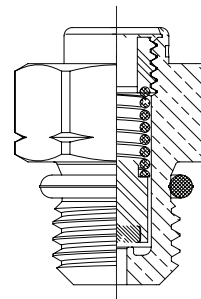
Small size delivers a cost effective, light-weight design



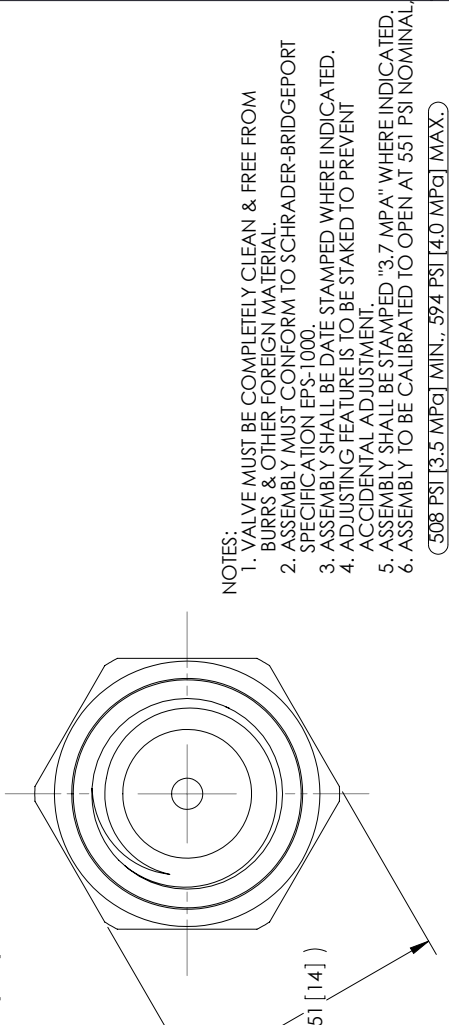
- Compact design
- Light weight
- Low Cost
- Fully adjustable opening and closing pressure
- Narrow opening - closing range
+/- 15 PSI to the mean; 2.0 + Cpk
- 160°C capability
- HNBR elastomer
- HNBR o-ring included
- Choose brass or aluminum construction
- 100% tested and validated on fully automated assembly equipment
- Meets domestic and foreign performance specification requirements



Note: Images enlarged to show detail



REVISIONS				
ZONE	REV.	DESCRIPTION	DATE	APPROVED
	REL	CREATED FROM 540477-C1B	12/2/09 DV	12/2/09 DV
	A	REVISED TO 540477 REVD	9/30/2014 DWH ECR #9148	DV 09/30/14
	B	O-RING COLOR: BLUE WAS GREEN	11/7/2014 DWH ECR #9144	DV 11/7/14



- NOTES:
1. VALVE MUST BE COMPLETELY CLEAN & FREE FROM BURRS & OTHER FOREIGN MATERIAL.
 2. ASSEMBLY MUST CONFORM TO SCHRADER-BRIDGEPORT SPECIFICATION EPS-1000.
 3. ASSEMBLY SHALL BE DATE STAMPED WHERE INDICATED.
 4. ADJUSTING FEATURE IS TO BE STAKED TO PREVENT ACCIDENTAL ADJUSTMENT.
 5. ASSEMBLY SHALL BE STAMPED "3.7 MPA" WHERE INDICATED.
 6. ASSEMBLY TO BE CALIBRATED TO OPEN AT 551 PSI NOMINAL.
- (508 PSI [3.5 MPa] MIN., 594 PSI [4.0 MPa] MAX.)

ITEM NO.	COMPONENT	MATERIAL	QTY.
1	HOUSING		1
2	PRV PIN		1
3	SEAL		1
4	O-RING		1
5	SPRING		1
6	SETSCREW		1
7	DUST SHIELD		1

Schrader International, Inc.
 North American Operations
 Allavista, Va.

DRAWN: 05/24/04 GSC
 APPROVED BY: 05/24/04 HAT.

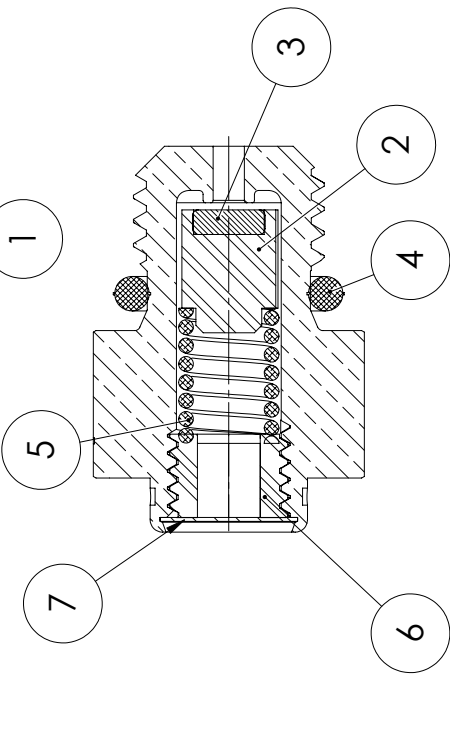
SCALE: 4X
 PART NO.: 9011660047
 DWG NO.: G-540477

DRAWING OF: ASSEMBLY - PRV, MINI

MATERIAL: FINISH:

PROPERTY NOTICE
 THE DESIGN AND TECHNICAL INFORMATION APPEARING ON THIS DRAWING IS THE PROPERTY OF SCHRADER-BRIDGEPORT INT'L, INC. AND IS DISCLOSED IN CONFIDENCE. IT IS NOT TO BE REPRODUCED OR TRANSMITTED IN ANY FORM OR BY ANY MEANS, ELECTRONIC OR MECHANICAL, WITHOUT THE EXPRESS WRITTEN CONSENT OF SCHRADER-BRIDGEPORT INT'L, INC.

SCALE: 4X
 PART NO.: 9011660047
 DWG NO.: G-540477
 SIZE: SHEET 1 REV B



SECTION A-A
SCALE 4:1