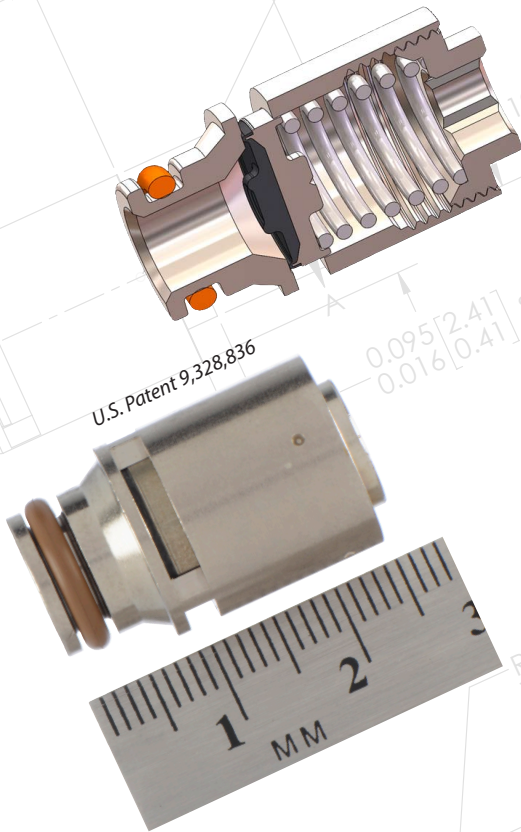


# Next Generation Fuel Pressure Regulator

Designed to meet increased fuel system performance characteristics



- Engineered and manufactured in USA
- Currently producing 8 million/year globally
- Compact: 24.56 mm x 15.39 mm
- Low Cost
- High Performance
  - Linear from 1 to 300 liter/hr
  - Low hysteresis
  - Calibration from 100 to 800 kPa
  - Not temperature sensitive
- Reliable
  - 100% verified calibration
  - 100% verified leak test
  - Suitable for use with all fuels

Supplied internationally to: Automotive, ATV, snowmobile, motorcycle manufacturers.



**SCHRADER PACIFIC**  
Advanced Valves

205 Frazier Road • Altavista, Virginia 24517 • 1.800.345.0578 • Schrader-Pacific.com

GAIN  
kPa/LPH  
0.36

SET POINT  
20 LPH

02262020

FLOW RATE  
LPH

15 -