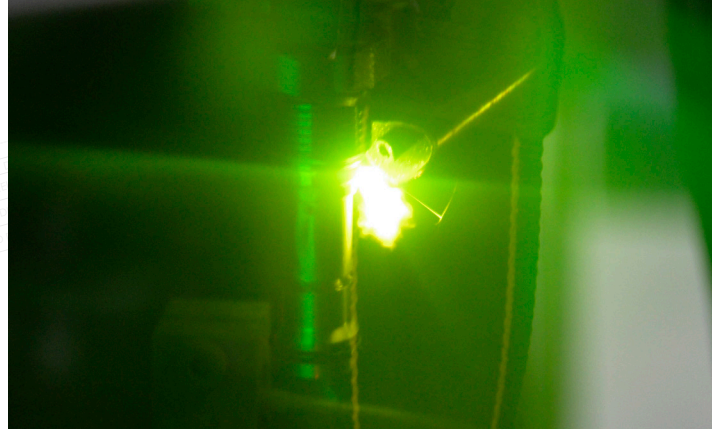


Diesel Bypass Valve

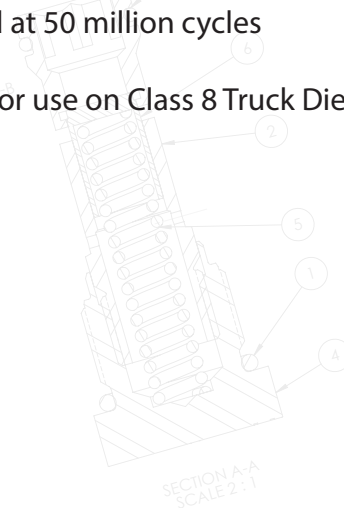
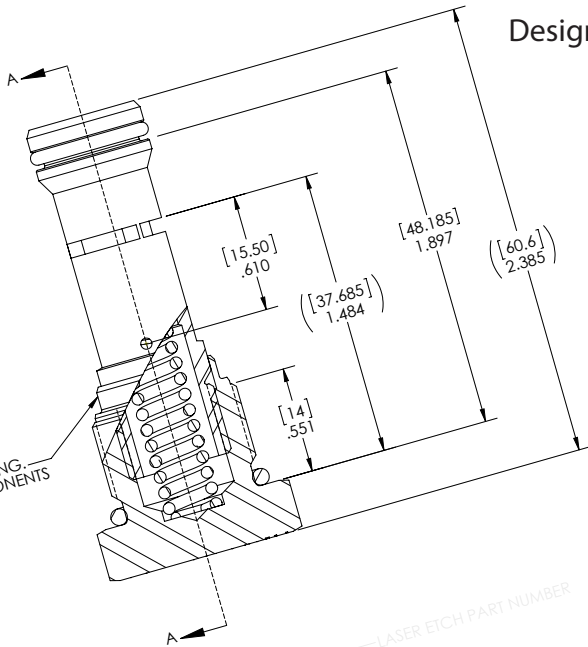
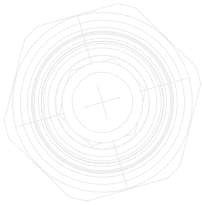
Designed for use in Class 8 truck four-stroke diesel engines



Diesel Bypass Valve overview:

- Opening pressure: 15 bar
- Max. leak rate: 2 LPH@12 bar
- Maximum flow rate: 24 LPM
- 100% Stainless Steel Constuction
- Validated at 50 million cycles

Designed for use on Class 8 Truck Diesel Engines



ITEM NO.	QTY.	DESCRIPTION	MATERIAL	MAHLE P/N	WEIGHT (GRAMS)
1	1	O-RING	FKM	20533839	0.235
2	1	HOUSING	303 STAINLESS	70123980	25.31
3	1	O-RING	FKM		0.114
4	1	CAP	17-7 STAINLESS		48.36
5	1	SPRING - PRV	303 STAINLESS		5.28
6	1	SPOOL	303 STAINLESS		2.92



205 Frazier Road • Altavista, Virginia 24517 • 1.800.345.0578 • Schrader-Pacific.com

DATE OF YEAR (11....99)
 DAY OF MANUFACTURE (001....365)
 MANUFACTURE

94 60 070 472
 DC A 472

LASER ETCH PART NUMBER

94 60 070 472

DATE: 11.03.09
 APPROVED BY: J. SCHUTZL

INTERNATIONAL, INC.
 North American Operations
 Altavista, Va.

SCALE: 1:1
 PART NO: 0550000001
 ENG: G-650000

PROPERTY NOTICE
 THIS DRAWING AND ALL INFORMATION CONTAINED HEREIN ARE THE PROPERTY OF SCHRAMMER & BERNESE, INC. AND SHALL REMAIN THE PROPERTY OF SCHRAMMER & BERNESE, INC. IF THIS DRAWING IS USED FOR ANY OTHER PURPOSE WITHOUT THE WRITTEN PERMISSION OF SCHRAMMER & BERNESE, INC.

1 OF 1